



Ronford-Baker

CAMERA SUPPORT TECHNOLOGY

Ronford-Baker Engineering Co. Ltd
Braziers, Oxhey Lane, Watford
Hertfordshire, WD19 5RJ, UK.

Tel: +44 (0)208 428 5941

Fax: +44 (0)208 428 4743

Email: info@ronfordbaker.co.uk

Web: www.ronfordbaker.co.uk

SERIES 2000 FLUID HEADS WITH BALANCE CONTROL MODEL 2015

The 2015 head incorporates two sealed fluid units which, by the use of four simple on/off levers, can be varied from a cushioned free head to the heaviest control required in fifteen stages with a smooth accurate action. The quick release camera plate is infinitely adjustable for camera lens balance, with built-in foolproof safety stops, and scale.

The tilt operation is backed up by a balance control system with an "off" position and four progressive settings operated by a single control lever, giving an unprecedented smoothness and accuracy of control and balance under all situations.

The Ronford-Baker 2015 is compatible with any Mitchell or Arriflex standard tripod, dolly or crane.

Technical Specifications

The 2015 variable low profile camera head.
Weight: 20lb (9.5kg)

Operational temperature range +150°F to -40°F
(+66°C to -40°C)

Transit Case Specifications

Dimensions 11" x 13" x 14"
(28cm x 33cm x 36cm)

Weight 10lb (4.5kg)

- Fifteen stage sealed fluid unit on pan and tilt.
- Quick release camera plate adjustable for balance with scale.
- Double Pan Bar Facility.
- Alternative long camera plate available.
- Recessed circular split level.
- 360° scale on pan.
- 120° tilt angle.
- Smooth positive braking on pan and tilt.
- 150mm ball or Mitchell plate fitting (other fittings to order).
- Fully guaranteed.



Optional Extras





Ronford-Baker

CAMERA SUPPORT TECHNOLOGY

Ronford-Baker Engineering Co. Ltd.
Braziers, Oxhey Lane, Watford
Hertfordshire, WD19 5RJ, UK.

Tel: +44 (0)208 428 5941

Fax: +44 (0)208 428 4743

Email: info@ronfordbaker.co.uk

Web: www.ronfordbaker.co.uk

FLUID 7 MK III & MK IV (EXTRA FLUID) POWER VARIABLE CAMERA HEAD

(Fluid MK III) Ref. 70001

(Fluid MK IV) Ref. 70002



The Ronford-Baker Fluid 7 head is designed for use with film or video/EFP cameras. Its two sealed fluid units allow control to be varied through seven stages, from a cushioned free movement to the heaviest control required, by the use of three simple on/off levers. Both pan and tilt actions are continuous through 360°, depending on the length of the lens and camera. The Fluid 7 can be supplied with a variety of platform widths, quick change spacing blocks and riser plates as illustrated. The platform is adjustable for height to suit the centre of gravity of the camera in use. A second pan bar of the platform, with ratchet adjustment to suit the required height.

Technical Specifications

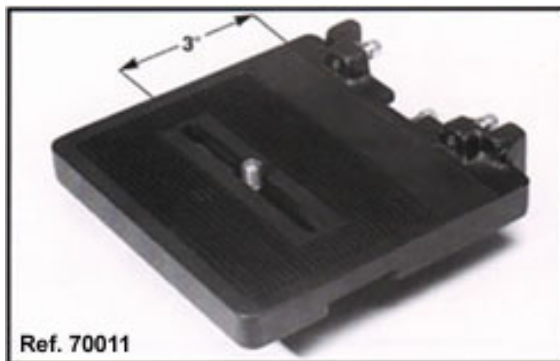
Operation temperature range
+150°F to -40°F (+60°C to -40°C)
Weight: 17lb 14oz (8kg) standard

- Fluid cushioned free head.
- Sealed fluid system gives seven degrees of control in both pan and tilt.
- Smooth accurate braking on pan and tilt.
- Recessed circular spirit levels.
- 360° scale on pan.
- 150mm or Mitchell base, other fittings can be supplied on request.
- Double taper roller bearings throughout.
- Camera screw and platform adjust for vertical and horizontal balance.
- Second panbar available.

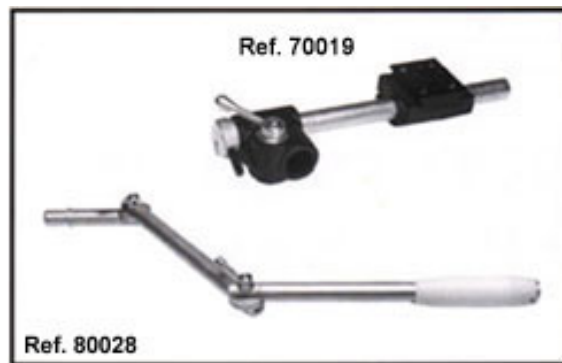


Transit Case

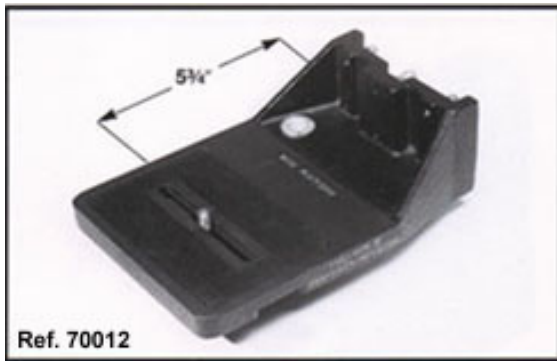
Rigidised aluminum to suit individual heads.



Standard Platform 3" (7.5cm)



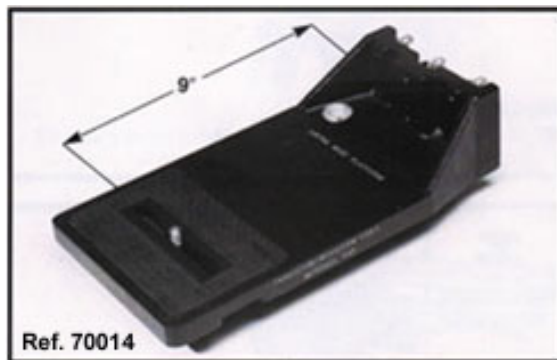
**Top 2nd Panbar Assembly Unit
Bottom Double Ratchet Panbar**



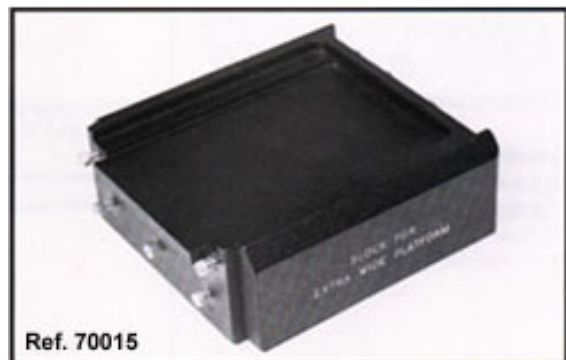
Wide Platform 5 3/4" (15cm)



Block for Wide Platform



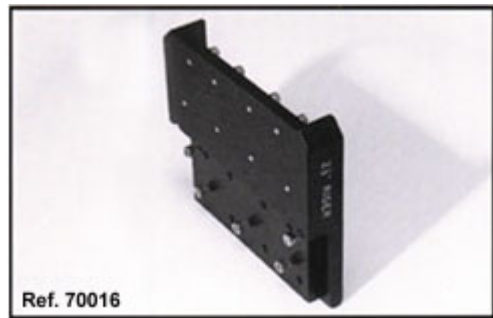
Extra Wide Platform 9" (22.5cm)



Block for Extra Wide Platform



9 5/8" Riser



2 1/2" Riser

F7 QUICK CHANGE BLOCKS & RISER

F7 Quick change blocks and Riser fits all F7 Heads and enables the Riser to be inserted in a matter of seconds, by means of one thumb screw.







Ronford-Baker

CAMERA SUPPORT TECHNOLOGY

Ronford-Baker Engineering Co. Ltd.
Braziers, Oxhey Lane, Watford
Hertfordshire, WD19 5RJ, UK.

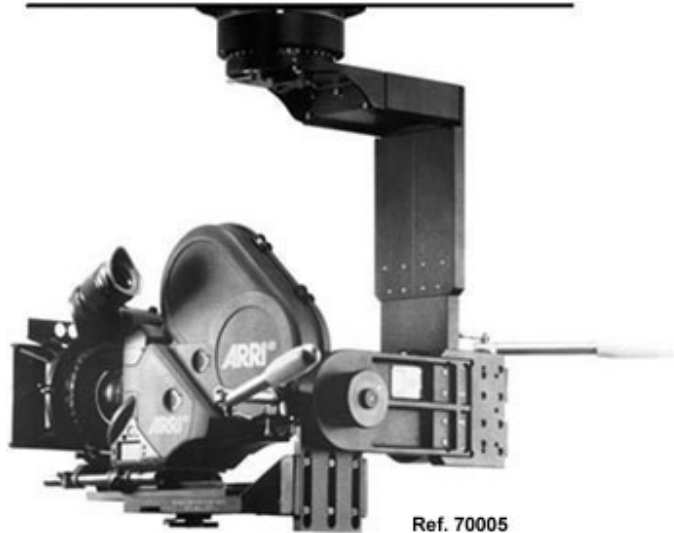
Tel: +44 (0)208 428 5941

Fax: +44 (0)208 428 4743

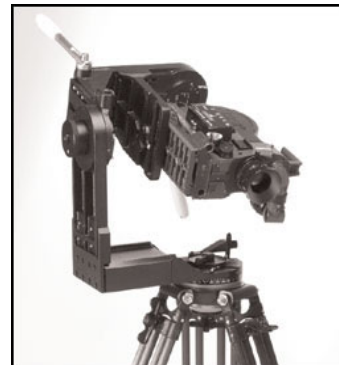
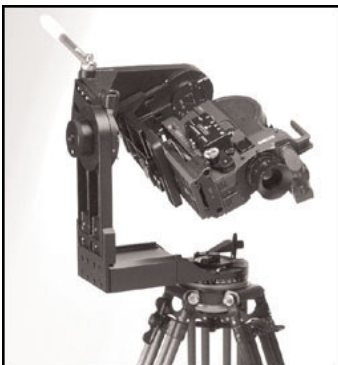
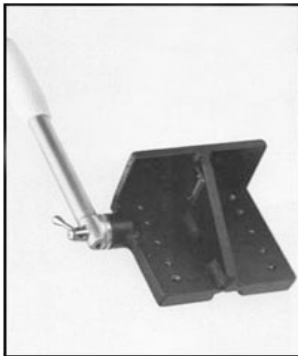
Email: info@ronfordbaker.co.uk

Web: www.ronfordbaker.co.uk

FLUID 7 MK IV 3 AXIS HEAD



The Ronford-Baker Fluid 7 3 AXIS Head is designed for use with film or video cameras up to 25KG. The three fluid units are controlled through seven stages. All three axes are continuous through 360 degrees. The head can be adjusted to the cameras centre of gravity. This unit, with the addition of one angle bracket, is built up from standard F7 head components.





Ronford-Baker

CAMERA SUPPORT TECHNOLOGY

Ronford-Baker Engineering Co. Ltd.
Braziers, Oxhey Lane, Watford
Hertfordshire, WD19 5RJ, UK.

Tel: +44 (0)208 428 5941

Fax: +44 (0)208 428 4743

Email: info@ronfordbaker.co.uk

Web: www.ronfordbaker.co.uk

SERIES 2000 FLUID HEADS WITH BALANCE CONTROL MODEL 2003

Incorporates the will proven Ronford-Baker fluid system operated by a single fluid system control lever with four progressive positions both pan and tilt.

The tilt operation is backed up by a balance control system with an "off" position and three progressive settings operated by a single control lever, giving an unprecedented smoothness and accuracy of control and balance under all situations.



Model 2003

Technical Specifications

Weight 7.5lb (3.4kg).

Operational temperature range
+150°F to -40°F (+60°C to -40°C).

- Engineered for quality, strength and durability.
- Quick release camera plate adjustable for balance with built in safety stops and scale.
- Double pan bar facility.
- Smooth positive braking on pan and tilt.
- 100mm bowl fitting.
- Tilt 120°.
- Fully guaranteed.



Ronford-Baker

CAMERA SUPPORT TECHNOLOGY

Ronford-Baker Engineering Co. Ltd.
Braziers, Oxhey Lane, Watford
Hertfordshire, WD19 5RJ, UK.

Tel: +44 (0)208 428 5941

Fax: +44 (0)208 428 4743

Email: info@ronfordbaker.co.uk

Web: www.ronfordbaker.co.uk

SERIES 2000 FLUID HEADS WITH BALANCE CONTROL MODEL 2004

Incorporates the will proven Ronford-Baker fluid system operated by a single fluid system control lever with four progressive positions both pan and tilt.

The tilt operation is backed up by a balance control system with an "off" position and seven progressive settings operated by a single control lever, giving an unprecedented smoothness and accuracy of control and balance under all situations.

Technical Specifications

Weight 14lb (6.5kg).

Operational temperature range
+150°F to -40°F (+60°C to -40°C).



Transit Case Specifications

Dimensions 7" x 10" x 12" (18cm x 25cm x 30cm) standard.

Weight 5lb (2.5kg).

- Engineered for quality, strength and durability.
- Quick release camera plate adjustable for balance with built in safety stops and scale.
- Double pan bar facility.
- Smooth positive braking on pan and tilt.
- 150mm bowl fitting or Mitchell base.
- Tilt 120°.
- Fully guaranteed.





Ronford-Baker

CAMERA SUPPORT TECHNOLOGY

Ronford-Baker Engineering Co. Ltd.
Braziers, Oxhey Lane, Watford
Hertfordshire, WD19 5RJ, UK.

Tel: +44 (0)208 428 5941

Fax: +44 (0)208 428 4743

Email: info@ronfordbaker.co.uk

Web: www.ronfordbaker.co.uk

MINI SEVEN HEAD



The lightweight head is designed for use with film or video cameras with a weight of 12kgs or 26.4lbs. The camera screw and platform adjust vertically and horizontally to put the camera on its centre of gravity, which allows the camera to remain in any given position without the use of balance springs. The amount of 'feel' required is selected from one of three positions within the patented fluid system. The head is designed to be as light in weight as possible without sacrificing strength or reliability.

Technical Specifications

Operation temperature range

+150°F to -40°F (+60°C to -40°C).

Weight: 6.6lbs (3kg).

- Fluid cushioned free head.
- Sealed fluid system gives three degrees of control in both pan and tilt.
- Smooth accurate braking on pan and tilt.
- Circular spirit level.
- 100mm ball base.
- Thrust races and ball bearings throughout.
- Second pan bar and ratchet pan bars available.
- AVS hexagonal transit case to take complete unit including tripod.



Ronford-Baker

CAMERA SUPPORT TECHNOLOGY

Ronford-Baker Engineering Co. Ltd.
Braziers, Oxhey Lane, Watford
Hertfordshire, WD19 5RJ, UK.

Tel: +44 (0)208 428 5941

Fax: +44 (0)208 428 4743

Email: info@ronfordbaker.co.uk

Web: www.ronfordbaker.co.uk

"DUTCH" CONFIGURATION SYSTEM



RONFORD-BAKER Fluid heads in their "DUTCH" configuration.

This unit is designed for use with both film and video cameras. Simply by removing four screws from the base unit and replacing the tripod mount with a DUTCH plate enables the 2003/2004 to become a DUTCH system. In a matter of minutes you're ready for shooting.

(Also available for 2015 units)